

ardente



Low thermal inertia



Low water consumption



Versatility



Easy to stock and install



**16
bar**

Working pressure



3 international patents

CE¹⁸



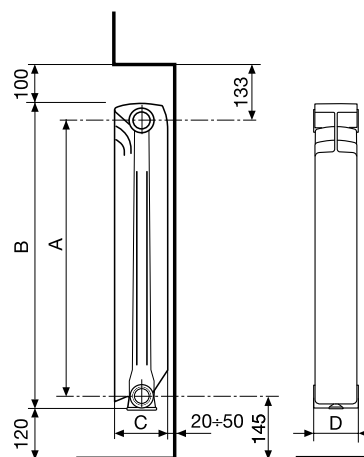
STANDARD SUPPLY:

Available from 3 to 14 sections for centre distance 500 and 600.

COLOUR: Ral 9010 White

Fondital guarantees **ARDENTE C2** for **10 years** from the date of installation against all production defects provided that the heating system conforms with regulations, in compliance with the standards in force and provided that instructions on installation, use and correct maintenance supplied with the product have been observed.

| Model | Heat output | | | | |
|---------|---------------|---------------|---------------|---------------|---------------|
| | ΔT 30 | ΔT 40 | ΔT 50 | ΔT 60 | ΔT 70 |
| | W/sect. | W/sect. | W/sect. | W/sect. | W/sect. |
| 500/100 | 57,0 | 82,4 | 109,8 | 138,7 | 169,0 |
| 600/100 | 66,2 | 95,7 | 127,5 | 161,2 | 196,5 |



| Model | Code | Depth | Height | Centre distance | Length | Connection diameters | Water capacity | Exponent | Coefficient |
|---------|---------|--------|--------|-----------------|--------|----------------------|----------------|----------|-------------|
| | | (C) mm | (B) mm | (A) mm | (D) mm | inches | litres/sect. | n | Km |
| 500/100 | V639034 | 97 | 556 | 500 | 80 | G1 | 0,26 | 1,284 | 0,724 |
| 600/100 | V639044 | 97 | 656 | 600 | 80 | G1 | 0,29 | 1,285 | 0,836 |

Maximum working pressure: 1600 kPa (16 bar)

Characteristic equation of the model $\Phi = Km \Delta T^n$.

The thermal efficiency values shown comply with the European Standard EN 442-1:2014 and are certified by the MRT Lab of the Milan Polytechnic, notified body N°1695.

| Article | Code | Description |
|---------|------------------|---|
| | A 80 550103 | Mounting kit for radiators each containing: 2 zinc-plated, paint-coated reducers 1/2"G. Rh; 2 zinc-plated, paint-coated reducers 1/2"G. Lh; 4 retaining gaskets 1 manual air-purging valve 1/2"G with gasket; 1 (1/2"G) plug with gasket |
| | A 81 550104 | Mounting kit for radiators each containing: 2 zinc-plated, paint-coated reducers 1/2"G. Rh; 2 zinc-plated, paint-coated reducers 1/2"G. Lh; 4 retaining gaskets; 1 manual air-purging valve 1/2"G with gasket; 1 (1/2"G) plug with gasket; 3 brackets to be screwed on to the wall |
| | A 2/1 510011 | 1"G joining nipple |
| | A 10/1 530105 | Nipple gasket (asbestos-free) |
| | A 11/1 530108 | Gasket for plugs (asbestos-free) |
| | A 20 550037 | Installation kit with two adjustable, coated brackets |

