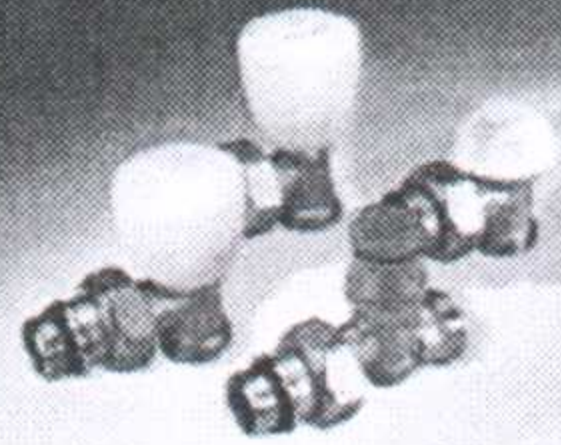




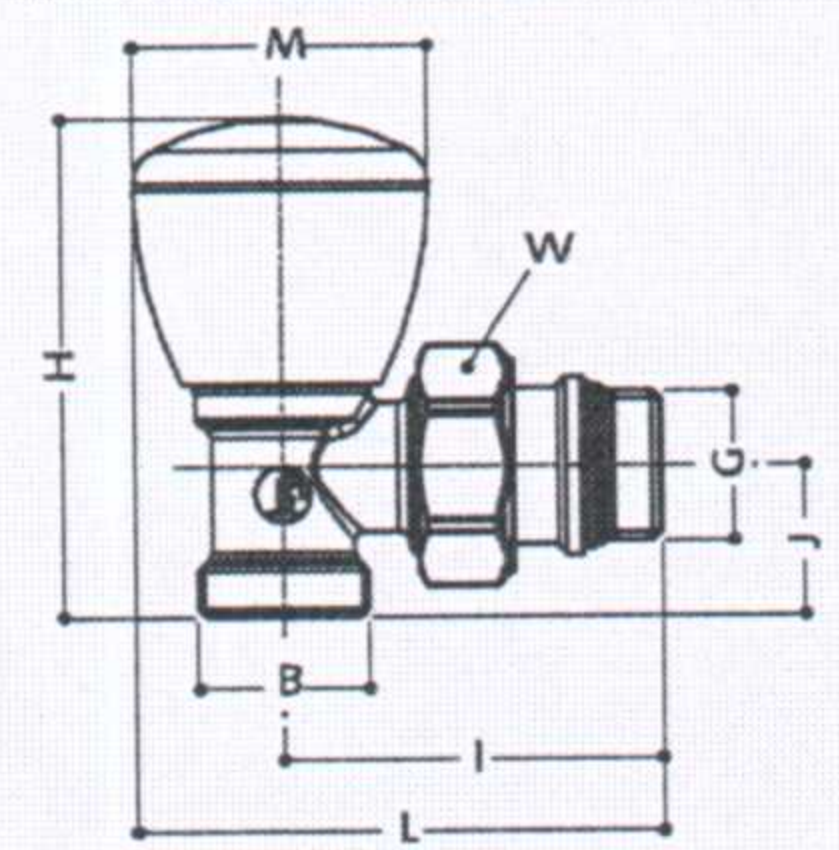
MICROMETRIC, THERMOSTATIC VALVES
 THERMOSTATIC VALVES
MANUAL VALVES
 LOCKSHIELDS
 ACCESSORIES AND SPARE PARTS



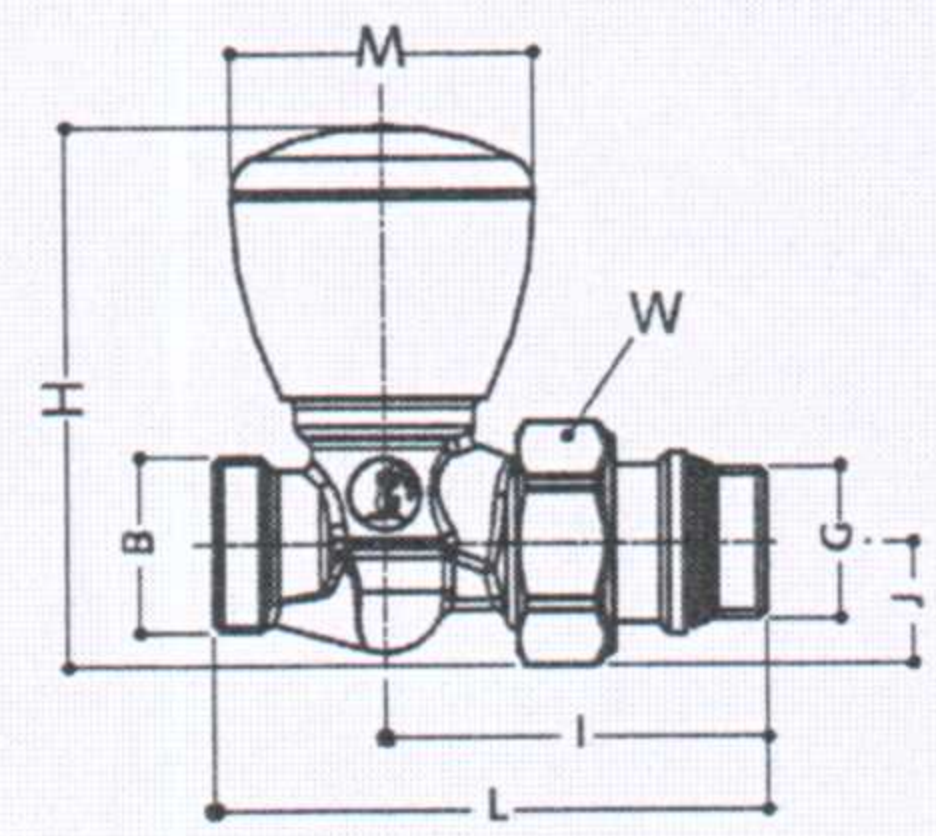
GIACOTECH

► Volumes and dimensions [mm]

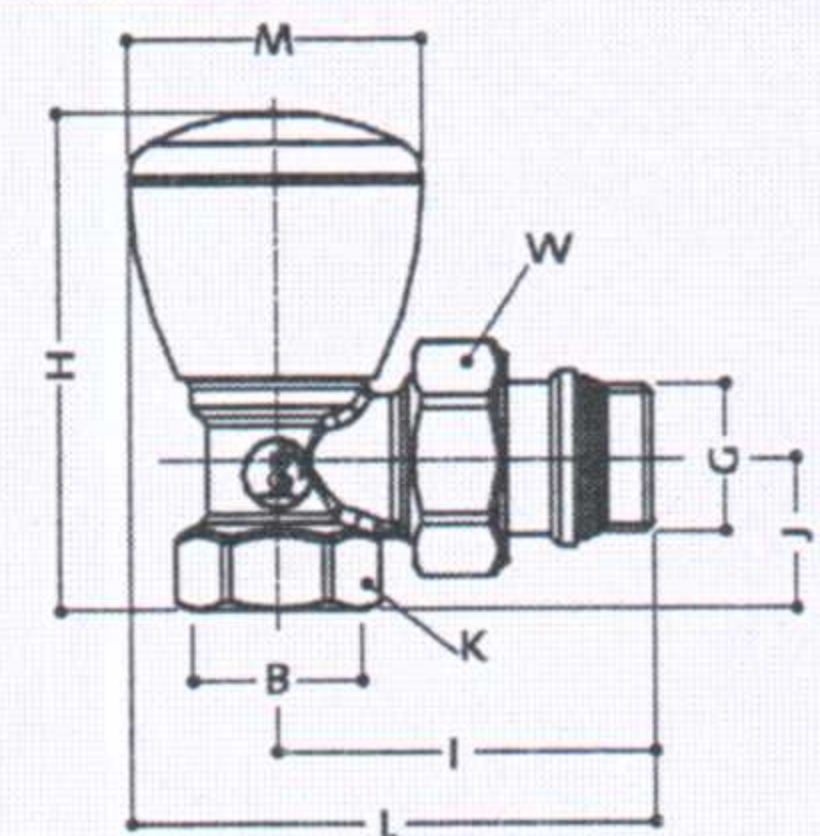
| R25TG | | | | | | | |
|---------|-------------|----|----|----|----|----|----|
| CODE | MEASURE GxB | H | I | J | L | M | W |
| R25X032 | 3/8" x 16 | 69 | 53 | 21 | 74 | 42 | 30 |
| R25X033 | 1/2" x 16 | 69 | 53 | 21 | 74 | 42 | 30 |
| R25X034 | 1/2" x 18 | 73 | 54 | 24 | 75 | 42 | 30 |
| R25X035 | 3/4" x 18 | 79 | 60 | 24 | 84 | 49 | 38 |
| R25X036 | 3/4" x 22 | 79 | 60 | 24 | 84 | 49 | 38 |



| R27TG | | | | | | | |
|---------|-------------|----|----|----|----|----|----|
| CODE | MEASURE GxB | H | I | J | L | M | W |
| R27X032 | 3/8" x 16 | 73 | 52 | 17 | 75 | 42 | 30 |
| R27X033 | 1/2" x 16 | 73 | 52 | 17 | 76 | 42 | 30 |
| R27X034 | 1/2" x 18 | 73 | 52 | 17 | 77 | 42 | 30 |
| R27X035 | 3/4" x 18 | 87 | 55 | 21 | 81 | 49 | 38 |
| R27X036 | 3/4" x 22 | 87 | 55 | 21 | 91 | 49 | 38 |



| R5TG | | | | | | | | |
|--------|-----------------|----|----|----|----|-----|----|----|
| CODE | MEASURE GxB | H | I | J | K | L | M | W |
| R5X032 | 3/8" x 3/8" | 65 | 50 | 19 | 22 | 71 | 42 | 27 |
| R5X033 | 1/2" x 1/2" | 70 | 53 | 21 | 26 | 74 | 42 | 30 |
| R5X034 | 3/4" x 3/4" | 79 | 60 | 23 | 32 | 84 | 49 | 38 |
| R5X035 | 1" x 1" | 87 | 68 | 30 | 39 | 92 | 49 | 46 |
| R5X036 | 1" 1/4 x 1" 1/4 | 92 | 81 | 33 | 49 | 110 | 59 | 53 |



| R6TG | | | | | | | | |
|--------|-----------------|----|----|----|----|-----|----|----|
| CODE | MEASURE GxB | H | I | J | K | L | M | W |
| R6X032 | 3/8" x 3/8" | 69 | 51 | 15 | 22 | 72 | 42 | 27 |
| R6X033 | 1/2" x 1/2" | 73 | 52 | 17 | 26 | 76 | 42 | 30 |
| R6X034 | 3/4" x 3/4" | 86 | 55 | 21 | 32 | 81 | 49 | 38 |
| R6X035 | 1" x 1" | 93 | 69 | 26 | 39 | 106 | 49 | 46 |
| R6X036 | 1" 1/4 x 1" 1/4 | 97 | 84 | 30 | 49 | 135 | 59 | 53 |

