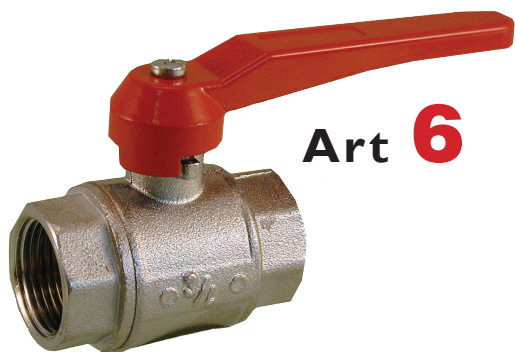
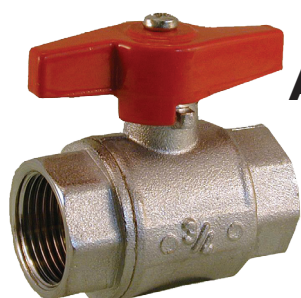


GOAL Full port ball valve normal type, F x F



Art **6**



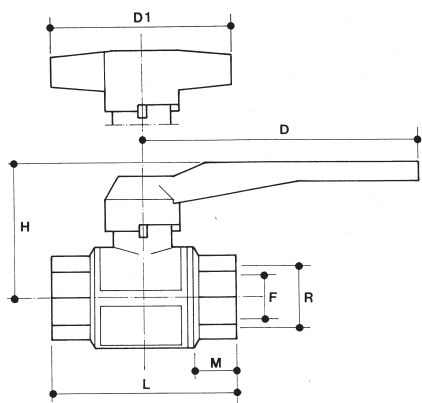
Art **60**

DECREE LAW DD. 25/02/2000 NO.93

the product showed in this technical sheet is made according to PED 97/23/CE and it is CE marking-free as per art. 3 par.3.

1 - Features

- Brass CW 617 N -UNI-EN 12165 body and ball
- Brass CW 614 N - UNI-EN 12164. stem and gland
- Ball ground by diamond-tipped tool, nickel and chromium plated
- Virgin P.T.F.E. seats with 7° min. tightness angle
- P.T.F.E. stem packing and antifriction ring
- Aluminium lever and butterfly handle with red plastic coating
- Matt chrome finishing
- Threading to ISO 228/1



2 - Leading Dimensions

R"	1/4	3/8	1/2	3/4	1	1 1/4	1 1/2	2	2 1/2	3	4
D	90	90	90	90	115	115	150	180	270	270	320
DI	45	45	60	60	70	-	-	-	-	-	-
H	41	41	45	48	60	65	83	94	110	120	155
L	46	48	54	58	68	82	89	105	131	155	195
M	11	11	13	13	14	17	17	19	23	25	26
F	9	10	14	19	25	31	39	49	63	76	100

3 - Field of use (PED 97/23/CE Art.9)

At the pressures and temperature stated in table 4, the valves can be used for the following fluids:

Non-dangerous fluid in gaseous condition up to diam. 1"1/4 - DN 32 (Tab.7);

Dangerous liquids (Tab.8);

Non-dangerous liquids (Tab.9) ;

The above statement is valid if the fluids concerned are non-aggressive to the copper alloys (bronze-brass).

4 - Working pressures at 130°C max

R"	1/4	3/8	1/2	3/4	1	1 1/4	1 1/2	2	2 1/2	3	4
PN 32	●	●	●	●	●	○	○	○	○	○	○
PN 25	●	●	●	●	●	○	○	○	○	○	○
PN 20	○	○	○	○	○	○	○	○	○	○	○
PN 16	○	○	○	○	○	○	○	○	○	○	○
PN 10	○	○	○	○	○	○	○	○	○	○	○

5 - Pressure drops

R"	1/4	3/8	1/2	3/4	1	1 1/4	1 1/2	2	2 1/2	3	4
Kv	8	9.1	15.5	31.7	58.5	96	160	269	395	535	900

$$\Delta p [\text{mm H}_2\text{O}] = 10.000 \cdot \left(\frac{G [\text{mc/h}]}{Kv} \right)^2$$

6 - Instructions for use

- The valve is supplied at opening position. The opening and the closing are made by a 90° rotation of the handle. In the opening position of the valve the handle is along the body of the valve, in the closing position the handle is across the body. The ball valve is a valve of interception and not of regulation, therefore it must be opened or closed completely; if it is left in an intermediate position, the seals can be damaged.
- If it is necessary to empty the tube for danger of frost, the valve must be opened at intermediate position (45°) up to the complete exit of the liquid and then it can be opened totally. It is suggested not to use the valve for liquids with abrasive suspensions.